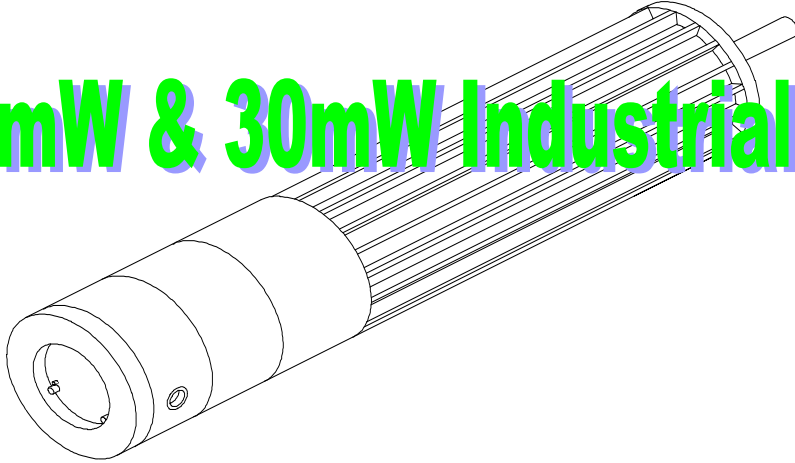


# Laser Blazer Green

## 10mW & 30mW Industrial Laser Diodes



*The new Laser Blazer self-contained assembly provides intense green light in two power configurations. Operating from 110VAC to 240VAC, these new diode pumped lasers maintain constant output.*

*The intense green beam is useful for visual applications in harsh or industrial environments, with optics housed in a sealed cell to provide added protection against contaminants and moisture.*

<b>DANGER</b>	Class IIIa Laser Product	Serial Number
LASER LIGHT	Wavelength 630-680nm	4.5mW Max. 9999
AVOID DIRECT EXPOSURE	This product conforms to all applicable standards of 21CFR Part 1000.	
AVOID EXPOSURE - Laser Light Emitted From This Aperture	Lacey-Harmer Co., 4320 NW St. Helens Rd., Portland, OR 97210	
Ph. (503) 222-9992		

### Features

- Ⓜ 532nm TEM<sub>00</sub> operation
- Ⓜ Power stability better than  $\pm 5\%$  to  $\pm 10\%$  over 8 hours
- Ⓜ Rugged industrial packaging
- Ⓜ Entirely self-contained
- Ⓜ No additional heat-sinking required
- Ⓜ 110VAC to 240VAC, 50Hz/60Hz
- Ⓜ 12 Month Warranty from date of shipment
- Ⓜ Warm up time <10 minutes

### Typical Applications

- Ⓜ OEM industrial equipment
- Ⓜ Construction
- Ⓜ Sawmill equipment: Grading decks, carriage, log cut-offs
- Ⓜ Furniture and woodworking
- Ⓜ Textile processing
- Ⓜ Sheet metal fabrication
- Ⓜ Machine Vision - Camera, scanning / optimizing

L A C E Y - H A R M E R C O .

4270 NW YEON AVENUE • PORTLAND, OREGON 97210  
PH. 503/222-9992 • 800/367-9992 • FAX 503/222-0073  
[www.laceyharmer.com](http://www.laceyharmer.com)

